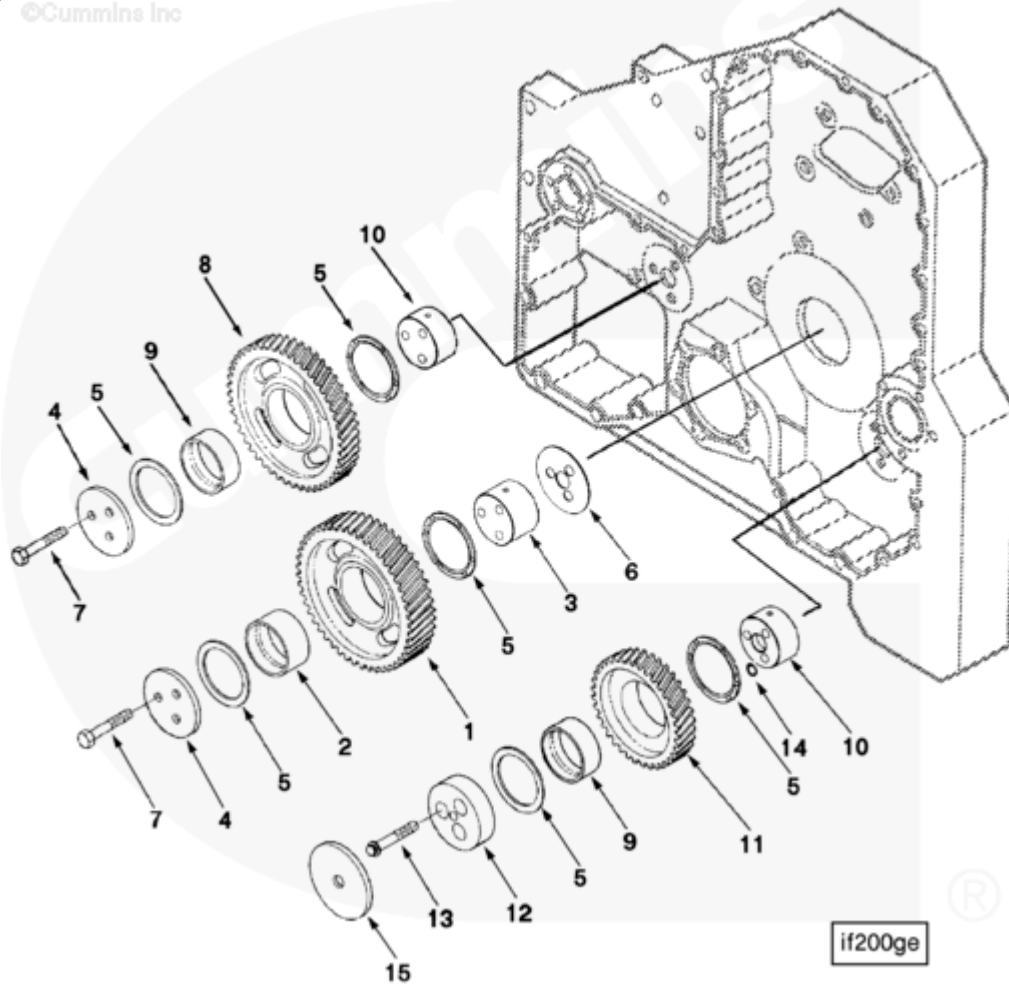




## Parts Catalog - Option Detail

Electronic Parts Catalog - Option Detail				
Option	Group	Graphic	Film Card	Date
BB2762-01	01.07.1	if200ge	II	23-DEC-03
<b>Engines</b>	ISM CM570, ISM CM570/870, ISM CM875, ISM CM876, ISM CM876 E, ISM11 CM876 M103, ISM11 CM876 SN, M11 CELECT, M11 CELECT PLUS, M11 MECHANICAL, QSM11 CM570, QSM11 CM876			



[SMALL](#) | [MEDIUM](#) | [LARGE](#)

Cart	Ref No	Part Number	Part Description	Required	Remarks
<a href="#">View My Cart</a>					
		<a href="#">BB2762-01</a>	Idler Gears		
		<a href="#">3084532</a>	Idler Gear		

<input type="checkbox"/>					
	1	3084447	Idler Gear	1	
<input type="checkbox"/>	2	3026188	Bushing	1	
<input type="checkbox"/>	3	3026166	Idler Shaft	1	
<input type="checkbox"/>	4	3026233	Gear Retainer	1	
<input type="checkbox"/>	5	3084899	Thrust Bearing	2	
<input type="checkbox"/>	6	3088161	Thrust Bearing Wear Plate	1	
<input type="checkbox"/>	7	3088162	Hexagon Head Cap Screw	3	M10 x 1.50 x 60
<input type="checkbox"/>		3084533	Idler Gear		
	8	3084448	Idler Gear	1	
<input type="checkbox"/>	9	3026189	Bushing	1	
<input type="checkbox"/>	4	3026233	Gear Retainer	1	
<input type="checkbox"/>	5	3084899	Thrust Bearing	2	
<input type="checkbox"/>	7	3088162	Hexagon Head Cap Screw	3	M10 x 1.50 x 60
<input type="checkbox"/>	10	3026167	Idler Shaft	1	
					Hydraulic pump idler gear for
					high capacity SAE "B" drive
<input type="checkbox"/>		3045873	Idler Gear		
	11	3045855	Idler Gear	1	
<input type="checkbox"/>	9	3026188	Bushing	1	
<input type="checkbox"/>	5	3084899	Thrust Bearing	2	
<input type="checkbox"/>	10	3062904	Idler Shaft	1	
<input type="checkbox"/>	12	3882511	Gear Retainer	1	
<input type="checkbox"/>	13	3045853	Twelve Point Cap Screw	3	M10 X 1.50 X 70.
<input type="checkbox"/>	14	3883510	Rectangular Ring Seal	1	
<input type="checkbox"/>	15	3882513	Mounting Spacer	1	
<input type="checkbox"/>		3820030	Rectangular Ring Seal	1	

